

Flat Side				
A	B	C	D	Area Sq. In
1	1 1/4	3/8	7/8	0.744
1 1/16	1 1/4	3/8	7/8	0.810
1 1/8	1 1/4	3/8	1	0.951
1 1/4	1 1/4	3/8	1	1.100
1 1/2	2	5/8	1	1.380
1 9/16	2	5/8	1	1.449
1 5/8	2	5/8	1	1.515
1 1/2	2	5/8	1 1/4	1.626
1 5/8	2	5/8	1 3/16	1.740
1 3/4	2	5/8	1 1/8	1.822
1 3/4	2	5/8	1 3/16	1.903
1 7/8	2	5/8	1 3/16	2.067
1 3/4	2	5/8	1 3/8	2.127
1 3/4	2	5/8	1 1/2	2.253
1 3/4	2	5/8	1 9/16	2.305
1 7/8	2	5/8	1 7/16	2.400
2	2	5/8	1 3/8	2.513
2	2	5/8	1 1/2	2.689
2	2	5/8	1 9/16	2.768
2	2	5/8	1 3/4	2.978

Square (or rectangular) Tapered				
A	B	C	D	Area Sq. In
7/8	7/8	3/8	1 1/4	0.766
15/16	15/16	3/8	1 1/4	0.878
1	1	3/8	1 1/4	1.000
1 1/8	1 1/8	5/8	2	1.266
1 3/16	1 3/16	5/8	2	1.409
1 1/4	1 1/4	5/8	2	1.562
1 5/16	1 5/16	5/8	2	1.721
1 3/8	1 3/8	5/8	2	1.891
1 7/16	1 7/16	5/8	2	2.065
1 1/2	1 1/2	5/8	2	2.250

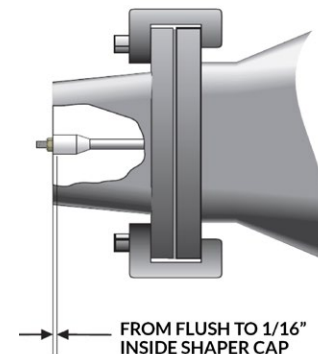
Rectangle				
A	B	C	D	Area Sq. In
15/16	1 1/8	3/8	1 1/4	1.055
1	1 3/16	3/8	1 1/4	1.188
1 1/8	1 1/4	5/8	2	1.406
1 1/4	1 3/8	5/8	2	1.719
1 5/16	1 7/16	5/8		1.887

Above are available with the following corner radius choices:
1/8", 1/4", 3/8"

Round Tapered					
A	B	C	D	E	Area Sq. In
7/8	1 1/4	3/8	5/16	9/16	0.601
15/16	1 1/4	3/8	5/16	5/8	0.690
1	1 1/4	3/8	3/8	5/8	0.785
1 1/16	1 1/4	3/8	5/16	5/8	0.887
1 1/8	1 1/4	3/8	3/8	5/8	0.994
1 3/16	1 1/4	3/8	3/8	5/8	1.108
1 1/4	1 1/4	3/8	3/8	5/8	1.227
1 3/8	1 1/4	3/8	3/8	5/8	1.485
1 3/8	2	5/8	7/16	1	1.485
1 1/2	2	5/8	1/2	1	1.767
1 9/16	2	5/8	1/2	1	1.917
1 5/8	2	5/8	1/2	1	2.074
1 11/16	2	5/8	1/2	1	2.236
1 3/4	2	5/8	1/2	1	2.405
1 7/8	2	5/8	1/2	1	2.761
2	2	5/8	1/2	1	3.142

NOTES:

- 1.) All core tips available in ceramic and silicon carbide.
— Silicon carbide tips offer 7-10x wear life compared to ceramic for a nominal price increase.
- 2.) Special shapes available in tool steel.
- 3.) These charts serve as examples (we can provide any size core tip that you need).



Core Installation Notes:
The faces of the cores should be from flush with the face of the shaper cap to a maximum 1/16" (1.6 mm) inside that face. If they extend beyond the face of the shaper cap, the clay column will swell as it emerges.