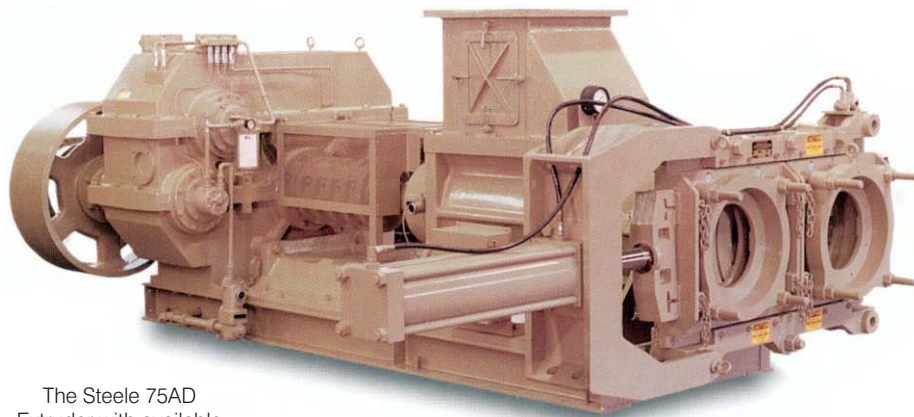




The Steele 75AD
Pug Sealer

**The STEELE 75 Machines:
high production rates,
stiff extrusion, and
'last forever' toughness.**



The Steele 75AD
Extruder with available
Hydraulic Die Changer



J.C. STEELE AND SONS, INC. • *The Best in Clay Machinery Since 1889*

Built for the most demanding service and backed by Steele's commitment to the customer.

The Steele 75 Series machines are ideal for producing up to 22,000 or more stiff-extruded US Standard brick per hour at the lowest possible moisture content. The 75AD Extruder and 75AD Pug Sealer feature a proven double reduction gearbox design, a compact, rigid structure utilizing massive components, and an unsurpassed service record.

Built-to-last

It's rare for any 75 machine to ever be out of service. Downtime and maintenance are minimal because every casting, every shaft, every component was designed for trouble-free operation and reliability under the most demanding production schedules - two, even three shifts per day.

Castings - Structural components are cast from virtually unbreakable ductile iron; wear parts are extremely long-wearing 28PC high chrome iron alloy.

Augers and liners - Several designs are available. Auger sections are cast from 28PC and are 'pre-slicked' to minimize or eliminate the break-in period. 75AD machines have a long cumulative service history extruding a wide range of materials utilizing various auger/liner combinations.

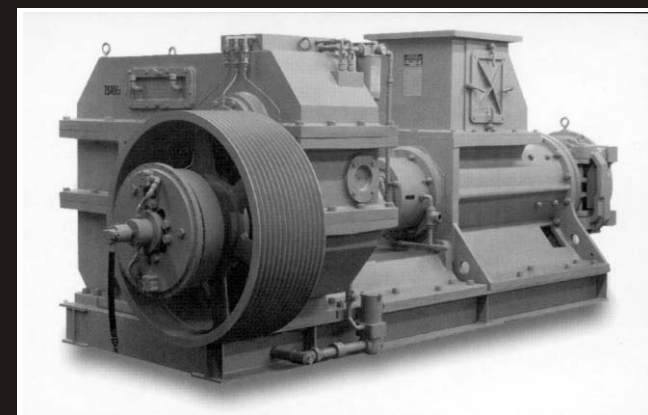
Gears - All are helical, double reduction, hardened alloy steel. The gearbox is force lubricated with pumped oil and protected by magnetic and mechanical oil filters.

Bearings - Roller bearings are used throughout. The oversized thrust and radial bearings are immersed in oil.

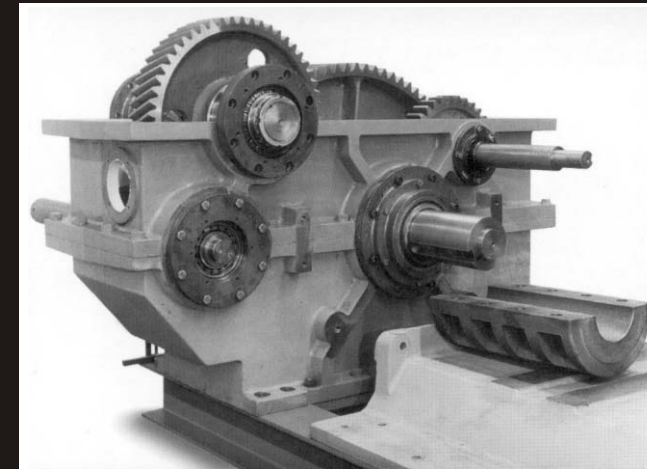
Shafts - Main driving shafts are as large as 7 1/4" (184mm) in diameter.



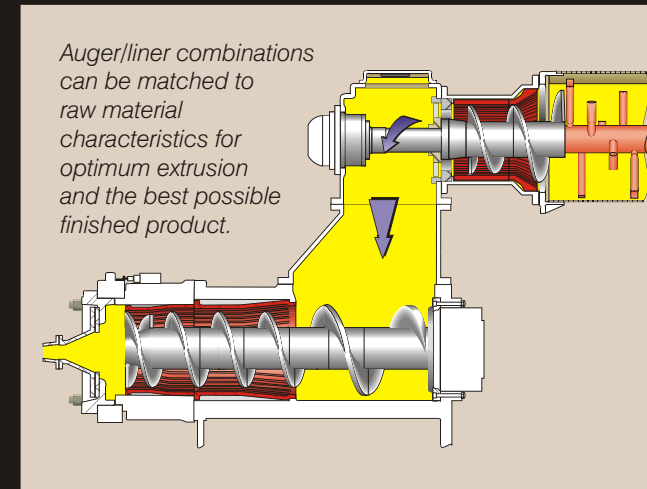
A modern foundry and expertise in metallurgy are key components in the strength and durability of STEELE Extrusion Machinery.



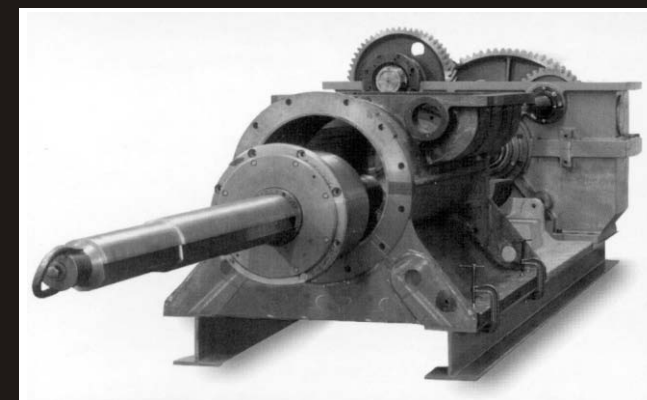
View from the gearbox end of the Extruder shows the solid, compact, and rigid design.



The massive gearbox utilizes short, large diameter shafts, closely supported by only two bearings per shaft, minimizing the possibility of misalignment.



Auger/liner combinations can be matched to raw material characteristics for optimum extrusion and the best possible finished product.



Assembly of the main augershaft with thrust and radial bearings. The augershaft is a 4140 steel forging with the enlarged portion for thrust an integral part of the shaft.

Drive options

The double reduction gearbox is ideally suited to 1200 RPM (60 cycle) and 1000 RPM (50 cycle) motors for both the extruder and pug sealer. The pug sealer motor can be positioned on either side, below, or mounted on top of the gearbox. The extruder motor can be mounted on either side or on top of the gearbox in right angle installations.

Extrusion Dies

Steele continues to research and develop new die hardware designs and the use of advanced wear-resistant materials. The 75AD extruder can be fitted with a wide range of dies for a variety of products and all types of raw materials. The hydraulic die changer automates changeover. Dual hinged (swinging) mouthpieces are also available.

Pug Sealer Features

Combines a large, open pug tub with an enclosed sealing auger section for intensive, high-shear mixing and de-airing. The sealing core, sealing die, shredder and even the auger sections are split for easy mounting and economical replacement. Adjustable pitch knives are abrasion resistant, replaceable, and designed for efficiently mixing a wide range of materials.

Support - throughout the world

Steele has had an active export business since 1903 and machines are currently in operation on six continents. Extrusion line layout and design, startup assistance, service, and parts support are available everywhere. Our "keep the customer up and running" philosophy applies worldwide.

The 75AD extruder and pug sealer is the ideal combination for a high volume production - brick, all types of structural shapes, lightweight aggregates - any product that requires intimately mixed, de-aired, low moisture stiff extrusion. A combined pug sealer/extruder, the 75ADC, is also available. Contact Steele for details.

GENERAL DATA

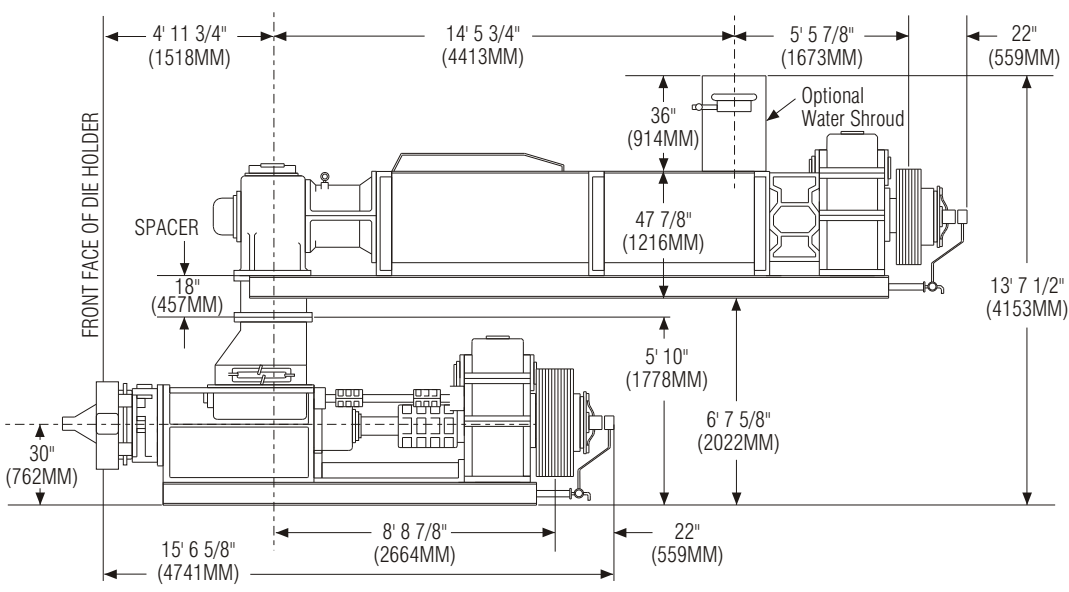
PRODUCTION*		75AD EXTRUDER	75AD PUG SEALER
Std US Brick/Hour	US/Metric Tons/Hour	Augershaft RPM	HP/kW (max)
11,600	28/25	18	150/110
16,800	40/37	26	200/150
19,500	47/43	30	250/185
22,000	53/48	34	300/225
24,500	59/54	38	350/260

*Production figures are average and will vary depending on many factors including auger/liner selection and wear, raw material, product extruded, and column stiffness.

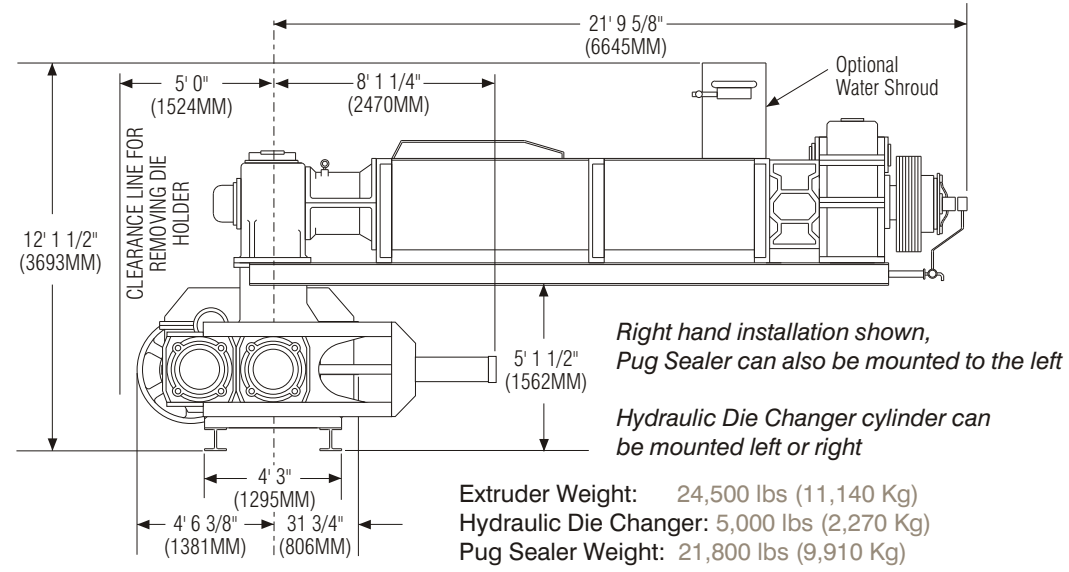
SPECIFICATIONS
Extruder
Gearbox ratio: 13.5:1
Sheave: 40" (1000mm) OD x 12 #8V grooves
Clutch: Twin Disk PO-218 pneumatic, 100-125 psig, 105 in ³ (1.72 L) free air per engagement, electrically actuated, single phase

DIMENSIONS

IN-LINE INSTALLATION



ANGLE INSTALLATION



Pug Sealer
Gearbox ratio: 13.5:1
Sheave: 40" (1000mm) OD x 8 #8V grooves
Clutch: Twin Disk PO-218 pneumatic, 100-125 psig, 105 in ³ (1.72 L) free air per engagement, electrically actuated, single phase
Pug Tub: 12' (3658mm) x 33" (838mm) ID tub, 81 ft ³ (2.29m ³) volume, 49 knives
Combined Machine
Request a copy of the 75ADC sales bulletin.

OPTIONS

Extruder Load Control
Provides overload protection on extruders with visual or audible signals to indicate a rising load condition. Can be set to drop out the pug sealer clutch or both the extruder and pug sealer clutches.
Auto-Greasing System
PLC based system provides grease to bearings and seals on the extruder and pug sealer by metering a small amount every hour the machines are running. More effective and safer than manual procedures.
Water Control
Options available to meet a wide range of needs.

Visit us on the web. View or download Sales Literature, sign up for SteeleService and more:



The Best in Clay Machinery Since 1889
J.C. STEELE & SONS, INC.
 P.O. Box 1834 • Statesville, NC USA 28687
 TEL: (704) 872-3681
 FAX: (704) 878-0789
Call Toll Free (US only):
1-800-278-3353

